

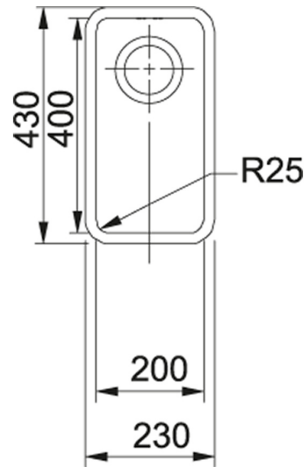


Code 20.7477.SA

Product Overview

Overall sink size:	230mm x 430mm	
Bowl dimension:	200mm x 400mm	
Bowl radius:	25mm	
Reversible:	No	
Min cabinet size:	300mm	
Installation:	Flushmount, Undermount,	Overmount,
Material:	Stainless Steel	
Material Grade:	18/10.304 Stainless Steel	

Installation measurements



Suggested accessories



Franke Drainer Basket (Suits Kubus) DB448



Franke Chopping Board (Suits Karst, Kubus) CB124



Franke Drainer Rack (Suits Kubus) DR121



Franke Strainer Tray (Suits Kubus) ST123



Franke Strainer Bowl (Suits Kubus) SB122