

# Franke Karst KTX 220

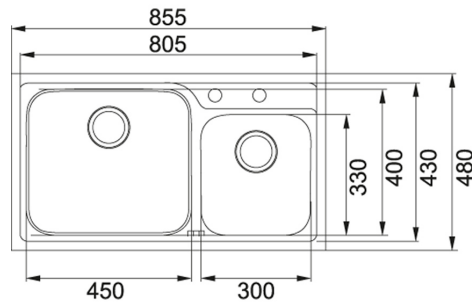


Code 20.7476.SA

### Product Overview

Overall sink size:	855mm x 480mm	
Bowl dimension:	450mm x 430mm, 300mm x 330mm	
Bowl depth:	/155mm	
Reversible:	No	
Cut out size:	835mm x 460mm	
Min cabinet size:	900mm	
Installation:	Flushmount, Undermount	Overmount,
Material:	Stainless Steel	
Material Grade:	18/10.304 Stainless Steel	

### Installation measurements



### Included accessories

### Suggested accessories



Franke Rollamat  
(Suits Karst)  
RM37



Franke Chopping  
Board (Suits Karst)  
CB503



Franke Drainer Basket (Suits Karst) DB426



Franke Chopping Board (Suits Karst, Kubus) CB124



Franke Strainer  
Tray (Suits Karst)  
ST506