

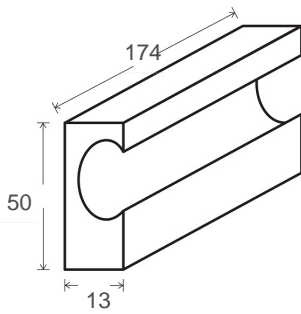
Square 14X14mm, 160mm, Silk Polished



Code 30.0140.SC

Product Overview

Code:	30.0140.SC
Handle Type:	Extrusion Handles
Handle Length (mm):	174
Handle Height (mm):	50
Handle Depth (mm):	13
Handle Hole Centre(mm):	160



Handle Finish:	Silk Polished
Material:	Stainless Steel